

# CLASSIC CLAD GARAGE DOOR FRAME CLADDING INSTALLATION INSTRUCTIONS

## STOCK CUT - STANDARD SQUARE CUT

Classic Clad comes partially pre-cut for the garage door opening size. You are required to make one miter cut on the header, and to cut the floor angle off the bottom of both verticals. To cut aluminum use a compound miter saw with a compound cut. For best results, use a metal cutting blade with a five-degree negative hook.

The verticals are pre-mitered with 3" left on the length to cut the floor angle. The head is pre-mitered on one end with opposite end left 6" longer to be cut in the field to the door header width. (Figure 1) A miter cut is required on this end.

Jamb cover must be miter cut using a jig block to support the jamb cover and to reduce saw blade chatter. (Figure 2)

Figure 1

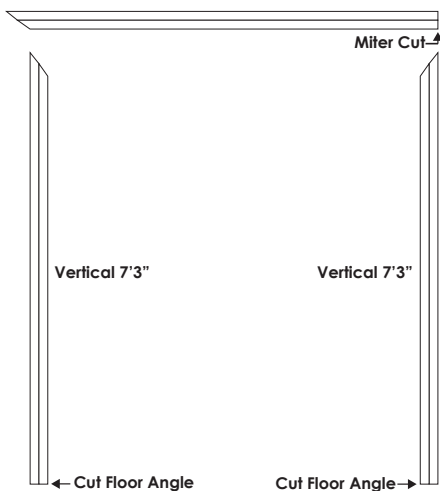
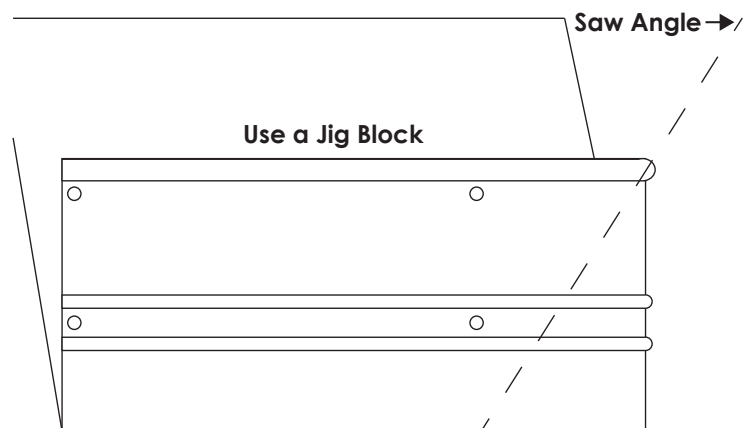


Figure 2

Jamb cover must be miter cut using a jig block to support the jamb cover to reduce saw blade chatter.



The finish opening must be square for the proper finished miters on the cladding. Lay out all parts to make sure you do not use the header for one of the verticals.

**STEP 1:** Screw the head jamb cover to the finished header with the screws supplied. Make sure the jamb cover is pushed tight to the wood face before screwing it to the jamb. There will be approximately 3/4" of wood exposed toward the inside if the jamb face. This is where the weather seal will be nailed on.

**STEP 2:** Cut the bottom of the verticals to the proper length. The left and right miter cuts are already cut for you

**STEP 3:** Screw the clad vertical jamb cover to the finished wood jamb with the screws supplied. Make sure the miters are tight on the two corners.

**STEP 4:** Use the same cuts for the brickmould/crownline nosing and apply the nosing head first. The nosing snaps onto the locking points of the jamb cover by tapping it with a rubber hammer.

**STEP 5:** Apply the vertical nosing by starting at the top making sure the miter is tight. After snapping the verticals on it may be necessary to tap on the bottom of the nosing to draw the miters tight together.

**STEP 6:** Finish by caulking the corners and the bottom against the floor.

