

FRONTLINE® HEADER DISPLAY INSTALLATION INSTRUCTIONS

Unpack and Locate

- Signage
- Display
- Screw Pack

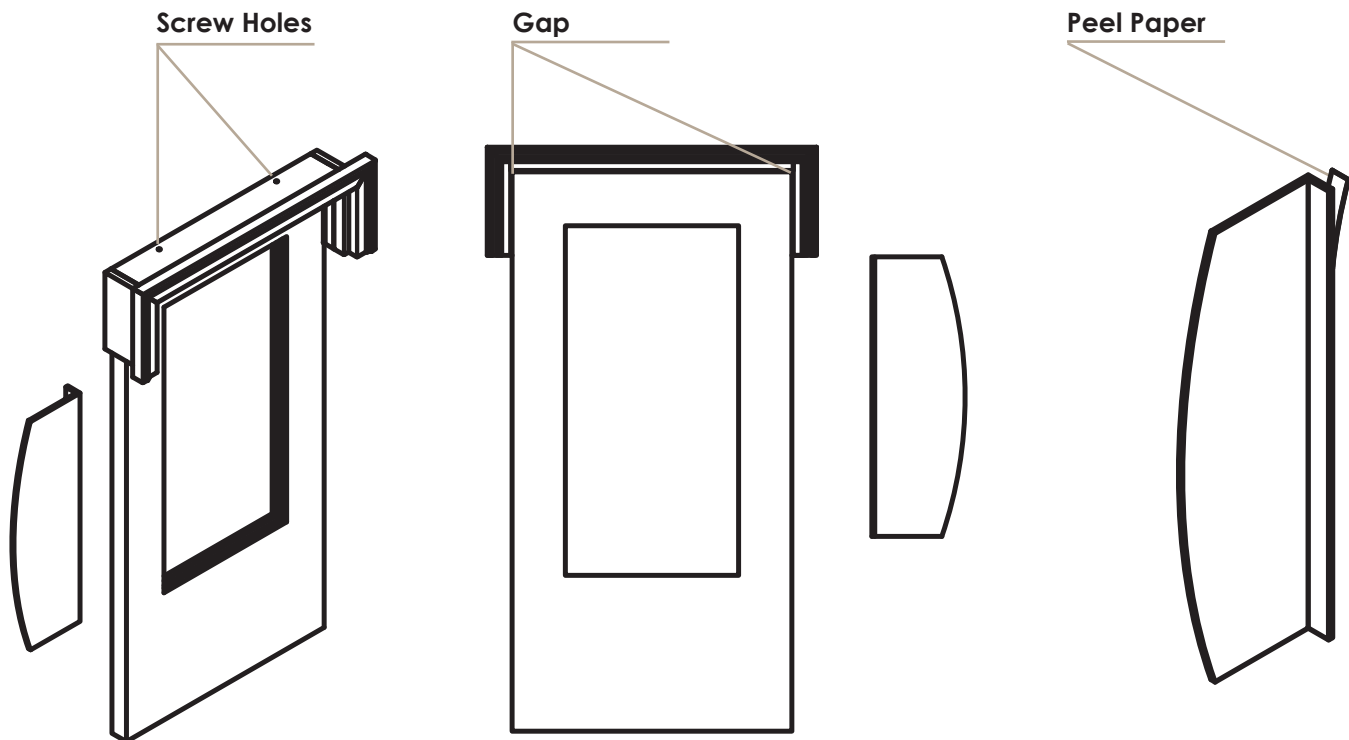
STEP 1: Place FrontLine header display on top of the door slab.

STEP 2: From backside - It is important to center the display on the door slab and to make sure your "Gap" is equal on both sides.

STEP 3: Locate two (2) screw holes on top of door jamb and use the two (2) 2" course thread screws and screw display to top edge of the door slab.

STEP 4: Locate sign and peel paper off the strip of tape down the edge of the sign.

STEP 5: Place sign so that the top edge of the sign is flush with the bottom edge of display and firmly press sign to edge of door slab.



FRONTLINE® CORNER HEAD DISPLAY INSTALLATION INSTRUCTIONS

Unpack and Locate

- Signage
- Display
- Screw Pack

STEP 1: Place FrontLine corner display on the corner of the door slab.

STEP 2: Use 2 - 2" course thread screws from screw pack and locate the two (2) holes on top of the door jamb and screw display to the top edge of the door slab.

STEP 3: Locate sign and peel paper off the strip of tape down the edge of the sign.

STEP 4: Place the sign so that the bottom edge of the sign is flush with the bottom edge of the display, as noted on image, and then firmly press sign to jamb on display.

